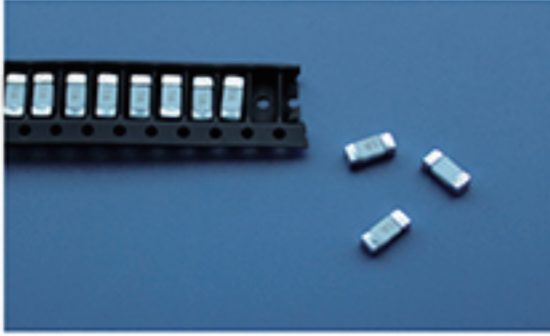


247 Quick-Acting SMD Fuse



Main Characteristics

SMD fuse; Quick-Acting(F)

Standard

UL-248-14

Materials

Body: Ceramic

End Caps: Copper plated with silver

Operating Temperature

-55°C to +125°C

Stock Temperature

+10°C to +60°C

Relative humidity: ≤75% yearly average

Without dew, maximum 30 days at 95%

Vibration Resistance

24 cycles at 15 min. each (60068-6)

10-60Hz at 0.75mm amplitude

60-2000Hz at 10g acceleration

Soldering Parameters

260°C. ≤10 sec (Wave Soldering)

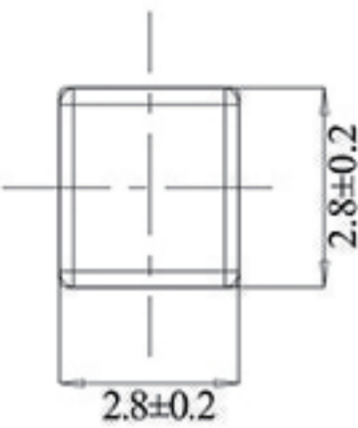
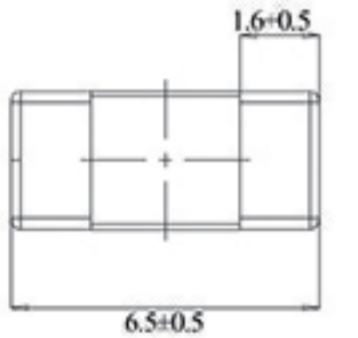
350°C. ≤3 sec (Hand Soldering)

Soldering Peak:

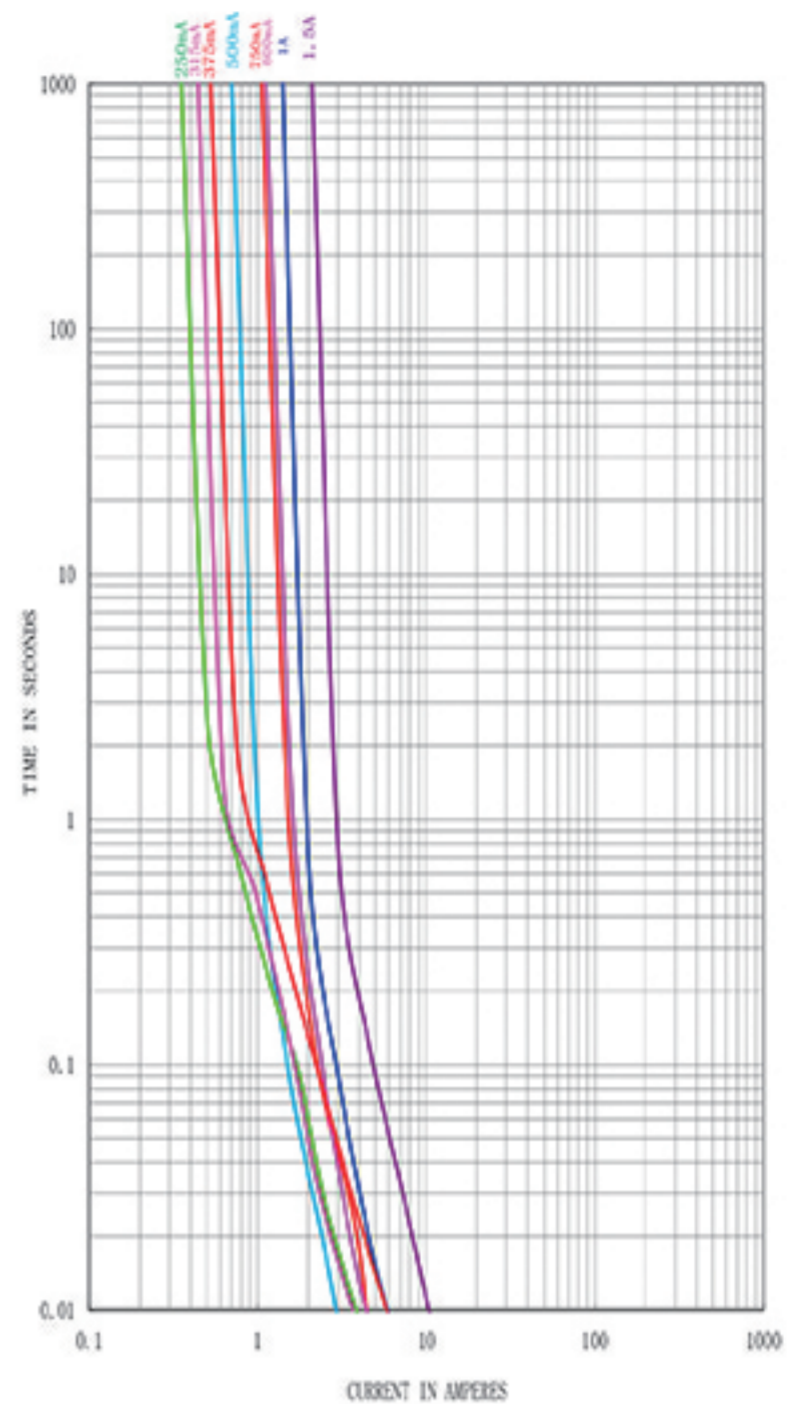
260°C. 10 sec.

280°C. 5 sec. (IEC 60068-20)

Dimensions(unit:mm)



Average Time Current(I-T Curve)



Time vs Current Characteristics: UL-248-14

Rated current	100%	200%
250mA~1.5A	>4h	<5s



Electrical Characteristics at 25 °C

Amp Code	Rated Current	Max. Voltage	Breaking Capacity	Typical Voltage Drop (mV)	Nominal Melting I ² t(A ² sec)	Approvals
						cURus
0250	250mA	125V AC 125V DC	50A@125V AC 50A@125V DC	240	0.144	•
0315	315mA			164	0.137	•
0375	375mA			180	0.335	•
0500	500mA			561	0.090	•
0750	750mA			445	0.160	•
0800	800mA			456	0.203	•
1100	1A			478	0.900	•
1150	1.5A			328	1.069	•

Note: (1) Permissible continuous operating current is ≤100% at ambient temperature of 23°C (73.4°F).

(2) The current values used for calculating I²T should be 10In current.

(3) The product without sand when the current is no more than 375mA.

Ordering Information

Series	Amp code	Supplementary Code	Qty
247			

