

KLK SERIES 10x38 FUSES

600 Vac/500 Vdc • 1/10-30 A • Fast Acting



Specifications

Voltage Rating:	600 Vac / 500 Vdc
Amperage Rating:	1/10, 1/8, 2/10, 1/4, 3/10, 1/2, 3/4, 1, 1 1/2, 2, 2 1/2, 3, 3 1/2, 4, 5, 6, 7, 8, 9, 10, 12, 15, 20, 25, 30
Interrupting Ratings:	AC: 100 kA 200 kA Littelfuse self-certified DC: 50 kA
Material:	Body: Melamine / Caps: Copper Alloy
Operating Temperature:	See Rerating Curve
Approvals:	UL 248-14 Listed (File: E10480) CSA Certified (File: LR29862) QPL (File: F60C) CE
Country of Origin:	Mexico
Environmental:	RoHS Compliant

Description

Fast-Acting, High-Interrupting Capacity, Current-Limiting Type Fuse. Especially suited for control circuits, street lighting, HID lighting, computers, and other applications without high in-rush currents.

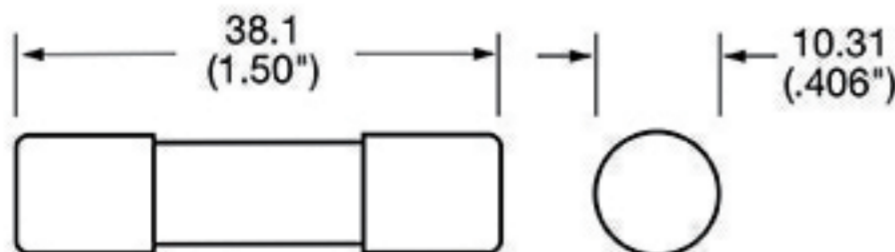
Features/Benefits

- UL approved
- 1/10 - 30 A ratings available
- 100,000 A Interrupting Rating

Applications

- Control Circuits
- Street lighting, HID lighting
- Computers

Dimensions Inches (mm)



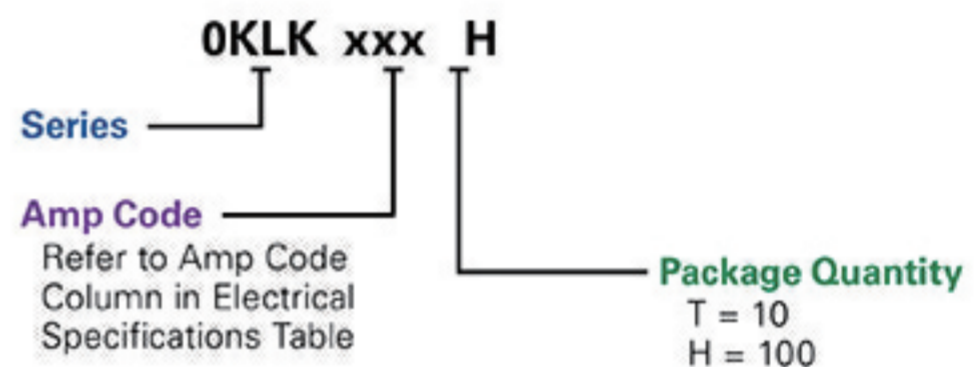
Recommended Fuse Holders

- Littelfuse LFPSM Dead-Front Series
- Littelfuse LEB Series
- Littelfuse L60030M Series

Web Resources

Download CAD drawings and other technical information:
littelfuse.com/klk

Part Numbering System



SERIES	AMP	PACKAGE QUANTITY	CATALOG NUMBER	ORDERING NUMBER
OKLK	1/8	10	OKLK.125	OKLK.125T
OKLK	5	100	OKLK005	OKLK005.H

Temperature Derating Curve (Temperature of Air Immediately Surrounding Fuse)

