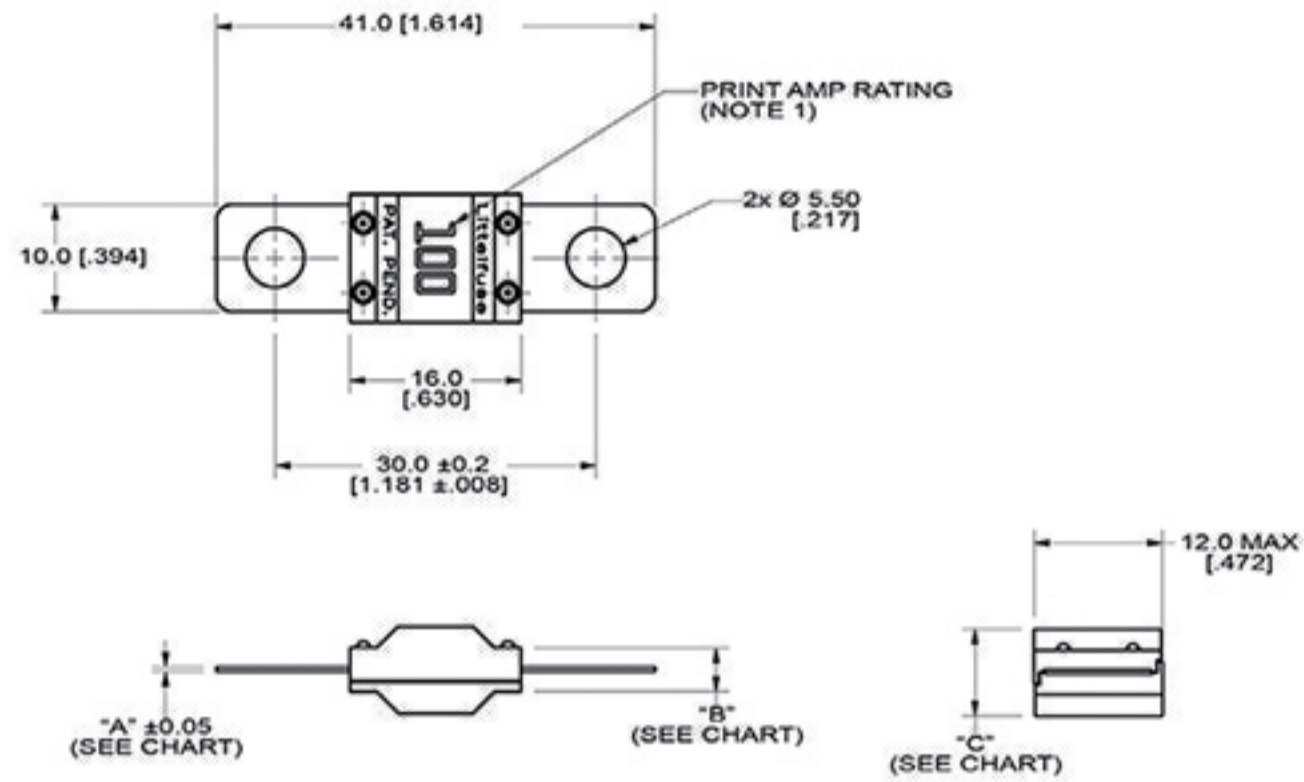


High Current Fuses

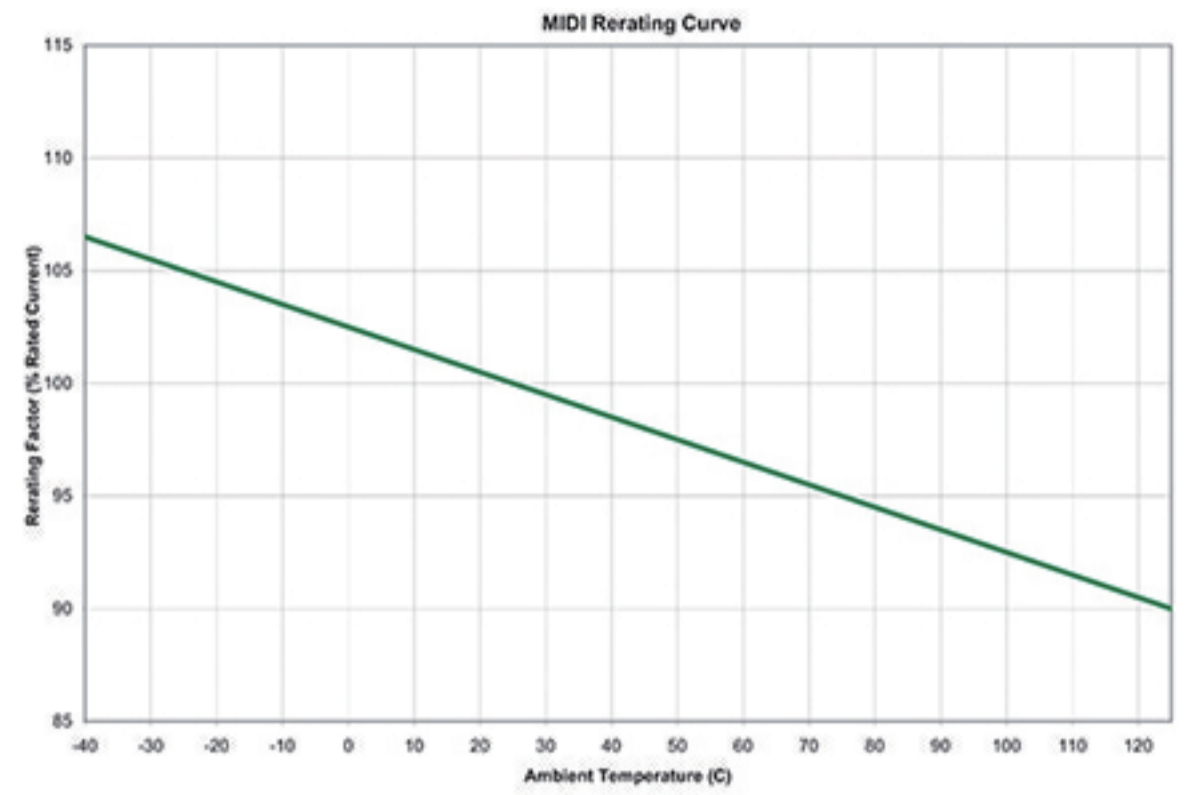
MIDI®, Clear MIDI®, and One Hole MIDI® Style Bolt-down Fuse Rated 32V

Dimensions

Dimensions in mm



Temperature Derating Curve



| Part Number | "A" mm (inch) | "B" mm (inch) | "C" mm (inch) |
|-------------|---------------|---------------|---------------|
| 0498023_ | 0.41 (0.016) | 4.0 (0.157) | 8.0 (0.315) |
| 0498030_ | 0.41 (0.016) | 4.0 (0.157) | 8.0 (0.315) |
| 0498040_ | 0.41 (0.016) | 4.0 (0.157) | 8.0 (0.315) |
| 0498050_ | 0.41 (0.016) | 4.0 (0.157) | 8.0 (0.315) |
| 0498060_ | 0.41 (0.016) | 4.0 (0.157) | 8.0 (0.315) |
| 0498070_ | 0.41 (0.016) | 4.0 (0.157) | 8.0 (0.315) |
| 0498080_ | 0.41 (0.016) | 4.0 (0.157) | 8.0 (0.315) |
| 0498100_ | 0.63 (0.025) | 4.3 (0.169) | 8.3 (0.327) |
| 0498125_ | 0.63 (0.025) | 4.3 (0.169) | 8.3 (0.327) |
| 0498150_ | 0.63 (0.025) | 4.3 (0.169) | 8.3 (0.327) |
| 0498175_ | 0.63 (0.025) | 4.3 (0.169) | 8.3 (0.327) |
| 0498200_ | 0.63 (0.025) | 4.3 (0.169) | 8.3 (0.327) |

Time-Current Characteristic Curves

